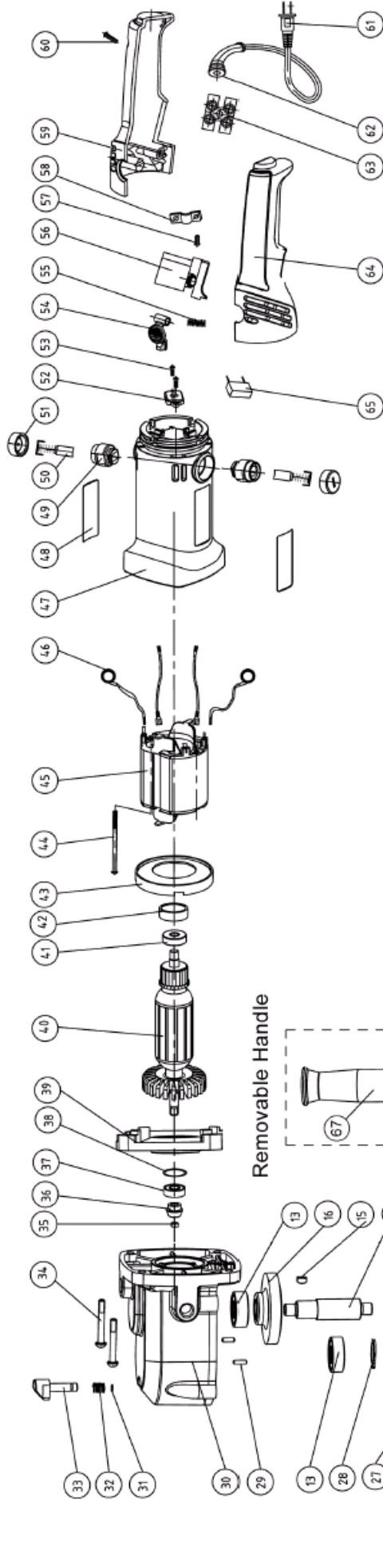
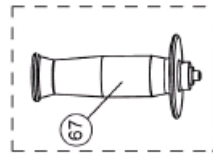


BNCE-20 | THE CUTTING EDGE SAW

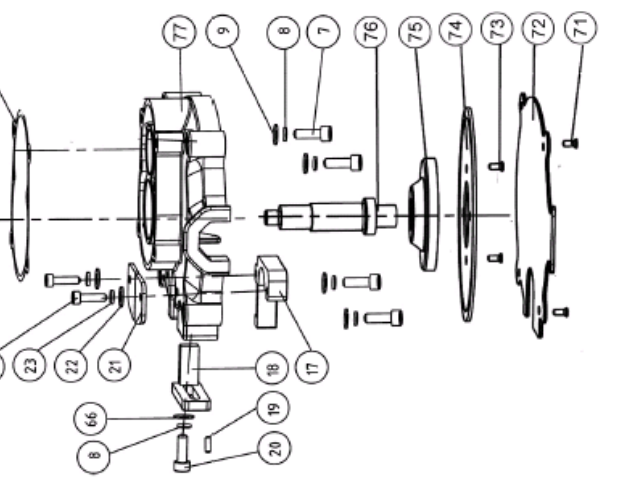
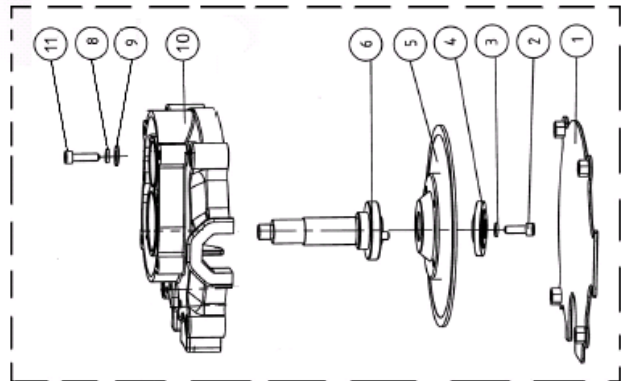
PARTS BREAKDOWN



Removable Handle



Old Style Blade Assembly ***



Spare Parts List For BNCE-20
(The Cutting Edge Saw)

NO. #	Parts Name	Qty	Part Number
1	Blade Cover	1	BNCEP-01
2	Hexagon Socket Head Cap Head Screw	1	BNCEP-02
3	Retaining Washer	1	BNCEP-03
4	Blade Flange	1	BNCEP-04
5	Blade with Hub	1	RB-BNCE-20
6	Cutting Blade Spindle	1	BNCEP-06
7	Hexagon Socket Head Cap Head Screw M5x30	4	BNCEP-07
8	Lockwasher	9	BNCEP-08
9	Washer 5mm	8	BNCEP-09
10	Aluminum Blade Housing	1	BNCEP-10
11	Hexagon Socket Head Cap Head Screw M5x20	4	BNCEP-11
12	Gear Housing Gasket	1	BNCEP-12
13	Ball Bearing 608-2Z	3	BNCEP-13
14	Gear Shaft	1	BNCEP-14
15	Woodruff Key	1	BNCEP-15
16	Bevel Gear	1	BNCEP-16
17	Fixed Cutting Guide	1	BNCEP-17
18	Movable Cutting Guide	1	BNCEP-18
19	Pin A5x10	1	BNCEP-19
20	Hexagon Socket Head Cap Head Screw M5x15	1	BNCEP-20
21	Left and Right Rubber Guard	1	BNCEP-21
22	Washer 5mm	2	BNCEP-22
23	Lock Washer 4mm	2	BNCEP-23
24	Hexagon Socket Head Cap Head Screw M4-20	2	BNCEP-24
25	Ball Bearing 6002-2RS	1	BNCEP-25
26	Spacer	1	BNCEP-26
27	Big Gear	1	BNCEP-27
28	Shaft Clip 15	1	BNCEP-28
29	Pin A5x16	2	BNCEP-29
30	Aluminum Gear Housing	1	BNCEP-30
31	Steel Ring 6mm	1	BNCEP-31
32	Spring for Blade Lock	1	BNCEP-32
33	Lock Button for Blade	1	BNCEP-33
34	Phillips Pan Head Tapping Screw ST4.2x32	4	BNCEP-34
35	Hex Nut M6	1	BNCEP-35
36	Bevel Pinion	1	BNCEP-36
37	Ball Bearing 6002-2Z	1	BNCEP-37
38	O-Ring 25x2	1	BNCEP-38
39	Center Housing Plate	1	BNCEP-39
40	Armature	1	BNCEP-40
41	Ball Bearing 607-2RS	1	BNCEP-41
42	Bearing Bushing	1	BNCEP-42

NO. #	Parts Name	Qty	Part Number
43	Fan Guide	1	BNCEP-43
44	Phillips Head Tapping Screw ST4.2x70	2	BNCEP-44
45	Stator	1	BNCEP-45
46	Terminal	2	BNCEP-46
47	Motor Housing	1	BNCEP-47
48	Name Plate	1	BNCEP-48
49	Brush Holder	2	BNCEP-49
50	Carbon Brush	2	BNCEP-50
51	Brush Cap	2	BNCEP-51
52	Plate For Inner Wire	1	BNCEP-52
53	Phillips Pan Head Tapping Screw ST2.9x9.5	2	BNCEP-53
54	Rotation Button for Handle	1	BNCEP-54
55	Spring for Rotation Button	1	BNCEP-55
56	Trigger Switch	1	BNCEP-56
57	Phillips Pan Head Tapping Screw ST4.2x13	2	BNCEP-57
58	Cord Retaining Clamp	1	BNCEP-58
59	Right Handle	1	BNCEP-59
60	Phillips Pan Head Tapping Screw ST4.2x16	4	BNCEP-60
61	Power Cord	1	BNCEP-61
62	Cord Armor	1	BNCEP-62
63	Terminal	1	BNCEP-63
64	Left Handle	1	BNCEP-64
65	Capacitor	1	BNCEP-65
66	Washer 5mm	1	BNCEP-66
67	Three Position Side Handle	1	BNCEP-67
68	Particle Collection Bag	1	BNCEP-68

New Style Blade Assembly

71	Hexagon Socket Countersunk Head Bolt M5x15	4	BNCEP1-71
72	Blade Cover	1	BNCEP1-72
73	Hexagon Socket Countersunk Head Bolt M5x8	4	BNCEP1-73
74	Blade Without Hub	1	RB-BNCE-NH
75	Hub – New Style	1	BNCEP1-75
76	Cutting Blade Spindle – New Style	1	BNCEP1-76
77	Aluminum Blade Housing	1	BNCEP1-77